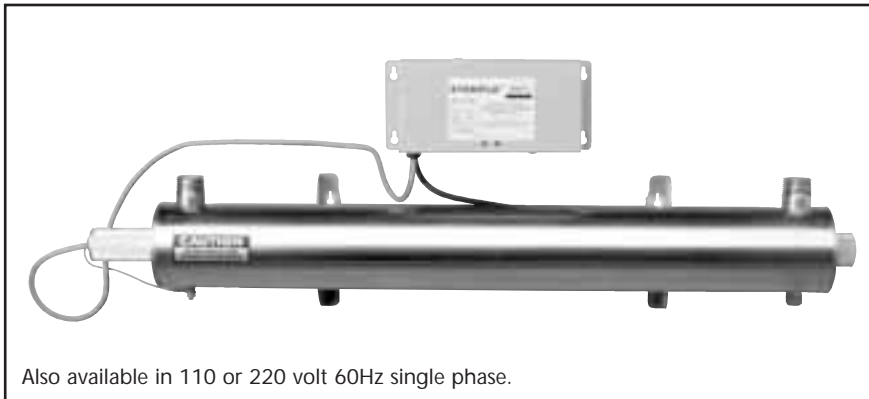


# STERIFLO®

Model Numbers: UV40-20  
UV75-25  
UV130-40



Also available in 110 or 220 volt 60Hz single phase.

## PRINCIPLES OF OPERATION

UV is commonly used for water disinfection on a wide range of water sources by many local councils, the food, dairy and brewing industries and by thousands of private consumers to ensure their water is safe to drink.

UV light at the wavelength generated by the lamp in a Davey Steriflo® unit (254nm) is lethal to most micro-organisms as it damages their ability to reproduce. The organism is then no longer viable as it cannot grow to cause infection or be counted on a culture plate.

It has been shown that cysts such as Giardia and Cryptosporidium are inactivated by UV but the water has to be very clean and free of particulate matter. Therefore filtration is part of all cyst control recommendations from Davey.

## FEATURES & BENEFITS

The design of the Davey Steriflo® range of UV sterilisers is intended to provide many years of reliable operation at an economical price. The treatment chambers are 304 stainless steel for cleanliness and long life.

The Davey Steriflo® system is designed for continuous operation treating cold water (up to 45°C) at any flow from zero up to the design flow rate. Extended periods of zero flow are not harmful as long as the treatment chamber is full of water. Allow 2 minutes warm up from switching on before starting flow. Allow 24 hours operation for a new lamp to develop full output.

The Davey Steriflo® range is suitable for potable water and food industry use. All wetted components are USDA listed.

Lamps are single ended for ease of servicing and connection.

Disassembly for cleaning of the quartz sleeve is quick and user friendly with positive sealing at both ends.

The power supply should be mounted in a dry location. 1 metre of lead to the lamp is provided.

Installation can be horizontal or vertical and piping should be arranged so that the unit stays full of water. If horizontal, the inlet and outlet should point upwards, if vertical the inlet should be at the bottom. Mounting brackets are provided for easy installation.

All units are supplied with full installation and operating instructions to ensure proper usage and assist with long term maintenance.

**Warning:** UV light is harmful to eyes and exposed skin. A safety notice is included with the operating instructions. NEVER LOOK AT A UV LAMP WHEN IT IS SWITCHED ON.

**Pre-treatment (drinking water)**  
Prefiltration is usually to ensure that particulate matter does not shield micro-organisms from the UV light. Depth sand filtration or 20 micron cartridge filtration is the usual minimum. In some cases, particularly with surface water, finer filtration may be necessary, or if cysts like Giardia or Cryptosporidium may be present. In this case 1 micron filtration is required, not necessarily for the whole supply, filtration for the drinking tap only may be practical.

DEPEND ON  
**DAVEY**

**WATER PRODUCTS**

## ULTRA VIOLET WATER TREATMENT SYSTEMS

### PRODUCT DESCRIPTION

Ultra violet water treatment system with stainless steel chamber, UV lamp and control box.

### APPLICATIONS

The Davey Steriflo® domestic UV water disinfection systems are an effective and economical means of eliminating harmful bacteria from drinking water supplies. They can also be used for small scale waste water disinfection at reduced flow rates.

- No chemicals
- No taste
- Impossible to overdose

### OPERATING LIMITS

	UV40-20	UV75-25	UV130-40
Maximum effective flow (clean water)	40lpm	75lpm	130lpm
Head loss @ maximum flow	< 0.5 metres		
Maximum pressure	850kPa		
Treatment chamber test pressure	1035kPa		
Minimum/maximum water temperature for lamp effectivity	8°C / 45°C		
Maximum ambient temperature	50°C		
Inlet size BSP(M)	3/4"	1"	1 1/2"
Outlet size	3/4"	1"	1 1/2"

# TECHNICAL SPECIFICATIONS

## MATERIALS OF CONSTRUCTION

PART	MATERIAL
Material	304 stainless steel
Number of lamps	One
Number of sleeves	One
Sleeve material	High purity quartz
Number of orings	Two
Oring material	EPDM rubber
Design lamp life	9000 hours (1 year continuous operation)

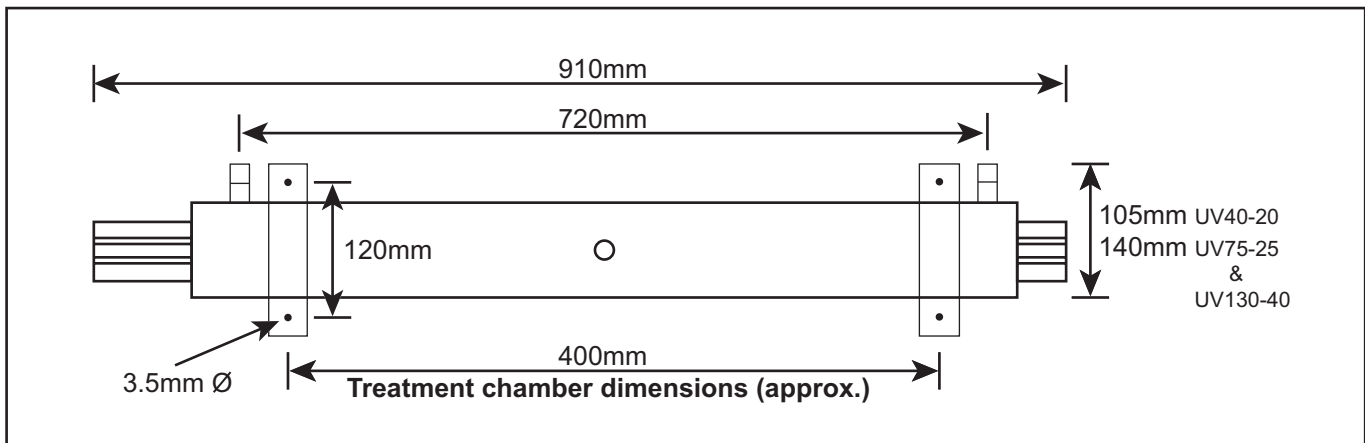
## ELECTRICAL DATA

	UV40-20 & UV75-25	UV130-40
Voltage/frequency (std)	230-240V/50Hz	
Options	110V/60Hz or 220V/60Hz	
Power consumption	55 watts	85 watts
Lamp power	40 watts	65 watts

## POWER SUPPLY ENCLOSURE

	UV40-20 & UV75-25	UV130-40
Fuse	1A	
Protection rating	For use under cover	IP55
Material	Polyester powder coated steel	ABS
Mains on indicator	Orange	
Visible alarm indicator	Red	
Audible lamp failure alarm	In-built	

## DIMENSIONS



	UV40-20	UV75-25	UV130-40
Inlet / outlet size	20mm (3/4")	25mm (1")	40mm (1 1/2")
Treatment chamber weight	2.5kg	4.0kg	4.5kg
Treatment chamber mounting brackets	Stainless Steel fixed		
Power supply enclosure dimensions (WxHxD)	250 x 110 x 60mm		190 x 300 x 175
Power supply enclosure weight	1.5kg		12.5kg
Interconnecting cable supplied	1m standard		
Power supply lead	1.7m with 3 pin plug		

All dimensions in mm unless otherwise stated.

All Davey Steriflo® systems are designed and built in New Zealand. Technical support and parts are always available.

This literature is not a complete guide to product usage. Further information is available from your Davey dealer, Davey Customer Service Centre and from the relevant product installation and Operating Instructions. This data sheet must be read in conjunction with the relevant product installation and Operating Instructions and all applicable statutory requirements. Product specifications may change without notice.

© Davey and Steriflo are registered trademarks of Davey Products Pty Ltd. © Davey Products Pty Ltd 2005.



DEPEND ON  
**DAVEY**

**WATER PRODUCTS**

### Davey Products Pty Ltd

Member of the GUD Holdings Ltd Group  
ABN 18 066 327 517  
Head Office and Manufacturing  
6 Lakeview Drive,  
Scoresby, Australia 3179  
Ph: +61 3 9730 9222  
Fax: +61 3 9753 4100  
Website: www.davey.com.au  
Customer Service Centre  
Ph: 1300 367 866  
Fax: 1300 369 119  
E-mail: sales@davey.com.au  
Interstate Offices  
Sydney - Brisbane - Adelaide  
Perth - Townsville

International  
6 Lakeview Drive,  
Scoresby, Australia 3179  
Ph: +61 3 9730 9121  
Fax: +61 3 9753 4248  
E-mail: export@davey.com.au

Germany  
Kantstrasse 47,  
04275 Leipzig  
Ph: +49 341 301 0412  
Fax: +49 341 301 0413  
E-mail: akrenz@daveyeurope.com

New Zealand  
2 Rothwell Avenue,  
North Harbour, Auckland 1330  
Ph: +64 9 914 3680  
Fax: +64 9 914 3685  
Website: www.daveynz.co.nz  
E-mail: sales@daveynz.co.nz

USA - Davey Pumps Inc.  
1005 N. Commons Drive  
Aurora, Illinois 60504  
Ph: +1 630 898 6976  
Fax: +1 630 851 7744  
Website: www.daveyusa.com  
E-mail: sales@daveyusa.com