

**AQUASHIELD® MAX UV PRESSURE SYSTEMS**  
**Model Numbers: ASHS60-08T, ASHM60-10T**  
**ASHS60-08RB &**  
**ASHM60-10RB**

DEPEND ON  
**DAVEY**

**WATER PRODUCTS**

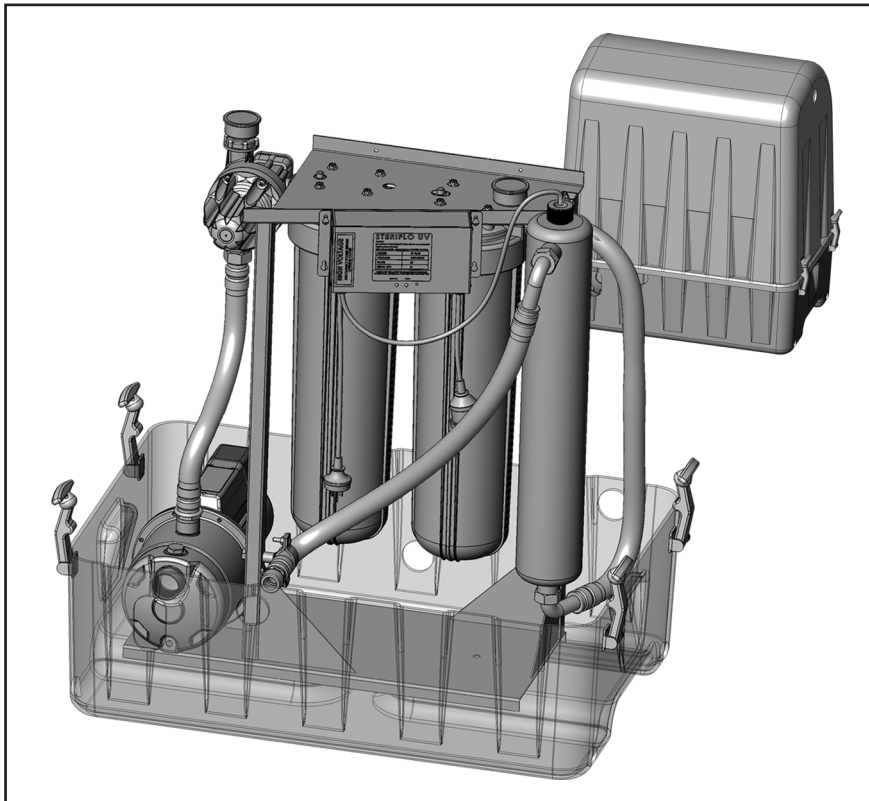
**AQUASHIELD® MAX**

**PRODUCT DESCRIPTION**

Factory matched rainwater management and treatment packages for both tank only and mains water back-up installations.

**APPLICATIONS**

- Pressure boosting & disinfection of rainwater
- School shower & toilet blocks
- Commercial toilet flushing
- Large home potable water supply
- Industry process water treatment
- Guest house potable water supply
- Bacteria and algae growth control for aquaculture and water features
- Also suitable for bore and surface water treatment – subject to water quality



**FEATURES & BENEFITS**

Davey's proven 3 stage water disinfection & filtration process will ensure a safe and hygienic water supply\*

Factory matched and tested package ensures the correct UV dosage is delivered with high reliability.

Pump interlock detects lamp failure and locks pump out ensuring only disinfected water is delivered.

Lamp count down timer with set limit of 9000 hours (1 year) ensures only disinfected water is delivered.

Durable UV resistant cover allows for flexible, vandal resistant, exterior installation.

Anti-cycling controller eliminates energy wasting and nuisance pump cycling maximizing.

RainBank® MKII controller option;

- Provides seamless automatic mains water back-up and source indication
- Automatically revert to mains water if power fails or pump is removed
- Incorporates an in-built 25mm Dual Check Valve for backflow prevention and plumbing code compliance

Torium® T70 controller option;

- Intelligent automatic pump control maximises pump efficiency by adjusting run on time and cut in pressures.
- Offers 'loss of prime protection' with auto retry to protect your investment while offering convenience and dependability.

High efficiency Steriflo UV disinfection system with low pressure lamp and test tube quartz sleeve for easy cleaning and high performance.

2 x 20" jumbo cartridge Filterpure filter housings for low friction losses and long cleaning intervals ensuring an efficient, economical system.

20 micron pre-filtration for long cleaning intervals with dirt, rust, sediment and debris reduction

1 micron filtration for parasitic cyst reduction and to reduce 'shadowing' of bacteria and virus.

Pressure drop 'Gauge Set' for simple filter condition diagnosis.

\*Cannot treat water contaminated by metals, chemicals, algal toxins or radiation.  
 \*\*Will vary depending on water quality. Check pressure drop 'Gauge Set'.  
 Based on clean rainwater.

**OPERATING LIMITS**

Capacities to	70lpm
Max. system pressure	700kPa
Max. mains water pressure for RB models	850kPa
Water temperature range	8°C-40°C
Max. ambient temperature	50°C
Lamp life	9,000 hrs (one years operation)

**SERVICE INTERVALS\*\***

20 Micro Filter	Clean	3 months
	Replace	up to 12 months
1 Micro Filter	Replace	up to 12 months
UV Lamp	Replace	12 months
UV Quartz Sleeve	Clean	12 months



# TECHNICAL SPECIFICATIONS

## MATERIALS OF CONSTRUCTION

PART	MATERIAL
<b>Housing</b>	
Cover	Polyethylene
Frame	304 stainless steel
<b>Pumps</b>	
Pump casing	304 stainless steel
Pump backplate	304 stainless steel
Pump stages	HM 304 stainless steel
	HS Glass filled Noryl
Pump impellers	HM 304 stainless steel
	HS Glass filled polycarbonate
Pump shaft	HM 316L stainless steel
	HS 303 stainless steel
Neck rings	HM Teflon
	HS Polypropylene & teflon
Mechanical seal	Carbon / ceramic
Orings	HM EPDM
	HS Nitrile rubber
Motor shell & lantern bracket	Marine grade aluminium with baked polyester powder coat

<b>Controller - Torrium®</b>	
Housing	Glass reinforced nylon
Diaphragm	Santoprene 87
Springs	Molybond coated tempered steel
Sensor plate	High grade Titanium
Flange adaptor & nut	Glass reinforced nylon
Orings	Nitrile

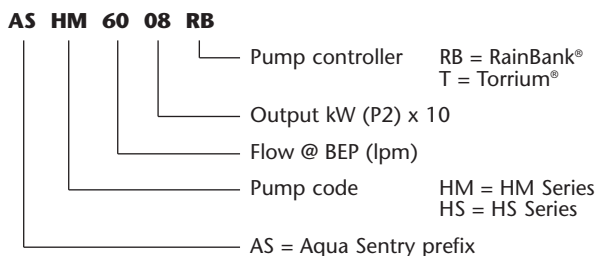
<b>Controller - RainBank®</b>	
Housing	Glass reinforced ABS & Noryl
Diaphragm	Santoprene 87
Dual check	D.R Brass
Sensor plate	316 stainless steel

<b>Filters</b>	
Filter housing	Glass reinforced polypropylene
20 micron filter	Pleated polyester fabric
1 micron filter	Spun melt polypropylene fabric

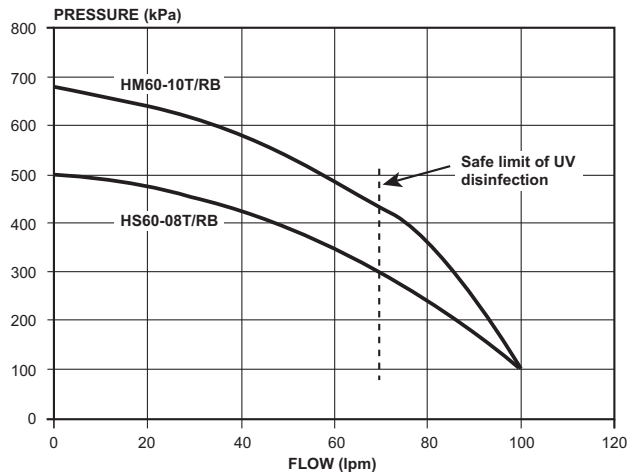
<b>Steriflo® UV disinfection unit</b>	
Chamber	304 stainless steel
Lamp	Low pressure high intensity
Sleeve	Quartz

<b>Pipework</b>	
Braided hose	Silicone lined stainless steel

## IDENTIFICATION OF THE SYSTEM



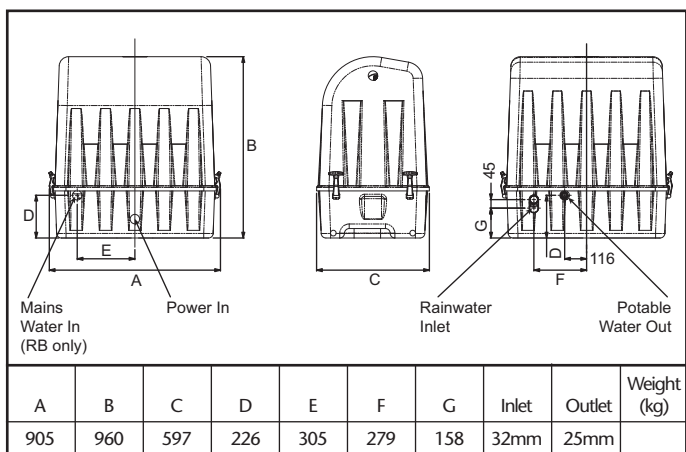
## HYDRAULIC PERFORMANCE



## ELECTRICAL DATA

	ASHS60-08T	ASHM60-10T	ASHS60-08RB	ASHS60-10RB
Supply voltage	220-250V			
Supply frequency	50Hz			
Phase	Single			
Motor speed	2850	2900	2850	2900
Full load current	4.9A	5.9A	4.9A	5.9A
Locked rotor current	18.0A	28.0A	18.0A	28.0A
Input power (P1)	1.1kW	1.25kW	1.1kW	1.25kW
Output power (P2)	0.76kW	0.94kW	0.76kW	0.94kW
Enclosure class	IP56			
Standby lamp power	45W			
Motor insulation	Class F			
Motor starting	PSC			

## DIMENSIONS



All dimensions in mm unless otherwise stated.

This literature is not a complete guide to product usage. Further information is available from your Davey dealer, Davey Customer Service Centre and from the relevant product Installation and Operating Instructions. This data sheet must be read in conjunction with the relevant product Installation and Operating Instructions and all applicable statutory requirements. Product specifications may change without notice.

© Davey is a registered trademark of Davey Water Products Pty Ltd. © Davey Water Products Pty Ltd 2008.



DEPEND ON  
**DAVEY**

**WATER PRODUCTS**

**Davey Water Products Pty Ltd International**  
Member of the GUD Group  
**ABN 18 066 327 517**  
**Head Office and Manufacturing**  
6 Lakeview Drive,  
Scoresby, Australia 3179  
Ph: +61 3 9730 9222  
Fax: +61 3 9753 4100  
Website: davey.com.au  
**Customer Service Centre**  
Ph: 1300 367 866  
Fax: 1300 369 119  
E-mail: sales@davey.com.au  
**Interstate Offices**  
Sydney • Brisbane • Adelaide  
Perth • Townsville

6 Lakeview Drive,  
Scoresby, Australia 3179  
Ph: +61 3 9730 9121  
Fax: +61 3 9753 4248  
E-mail: export@davey.com.au

**Germany**  
Kantstrasse 53,  
04275 Leipzig  
Ph: +49 341 301 0412  
Fax: +49 341 301 0413  
E-mail: akrenz@daveyeurope.com

**New Zealand**  
7 Rockridge Avenue,  
Penrose, Auckland 1061  
Ph: +64 9 570 9135  
Fax: +64 9 527 7654  
Website: daveynz.co.nz  
E-mail: sales@daveynz.co.nz

**USA - Davey Pumps Inc.**  
1005 N. Commons Drive  
Aurora, Illinois 60504  
Ph: +1 630 898 6976  
Fax: +1 630 851 7744  
Website: daveyusa.com  
E-mail: sales@daveyusa.com